

KEY MAP
N.T.S.

- LEGEND:**
- EXISTING GROUND ELEVATION
 - ×(209.00) PROPOSED GROUND ELEVATION
 - ×(209.00)T/W PROPOSED TOP OF WALL ELEVATION
 - ×(209.00)B/W PROPOSED BOTTOM OF WALL ELEVATION
 - ×209.00EX PROPOSED ELEVATION TO MATCH EXISTING
 - PROPOSED DIRECTION OF SHEET FLOW
 - EXISTING CATCHBASIN
 - EXISTING STORM/SANITARY MANHOLE
 - PROPOSED CATCHBASIN
 - PROPOSED STORM/SANITARY MANHOLE
 - PROPOSED CURB STOP/GATE VALVE
 - EXISTING DIRECTION OF DRAINAGE
 - EMERGENCY OVERLAND FLOW ROUTE
 - (2R) NUMBER OF REQUIRED RISERS
 - PROPOSED SILTATION CONTROL FENCE
 - PROPOSED CATCHBASIN SILT SACK

BENCH MARK NOTE:
 MONUMENT 0011865U659
 CITY OF HAMILTON BENCH MARK, HOUSE NO. 201 JAMES STREET SOUTH,
 AT NORTHEAST CORNER OF INTERSECTION OF FOREST AVENUE, PLATE IN
 SOUTH BRICK WALL AT SOUTHEAST CORNER.
 ELEVATION: 110.715 metres CGVD-1928:1978

| NO. | DATE | BY | REVISIONS |
|-----|-----------|----|-------------------|
| 2. | NOV 15/23 | MC | REVISED SITE PLAN |
| 1. | AUG 25/22 | YM | REVISED SITE PLAN |

NOTES TO CONTRACTOR:

- CONTRACTORS AND SUBCONTRACTORS SHALL NOT SCALE FROM THIS DRAWING.
- ANY INCONSISTENCIES AND OMISSIONS FOUND ON THE DRAWINGS MUST BE REPORTED TO THE ENGINEER FOR CLARIFICATION BEFORE COMMENCING THE WORK.
- PRIOR TO THE START OF CONSTRUCTION, THE CONTRACTOR MUST CHECK AND VERIFY ALL DIMENSIONS AND ELEVATIONS AND REPORT ALL FINDINGS TO THE ENGINEER. ONCE CONSTRUCTION HAS COMMENCED, THE CONTRACTOR ACCEPTS RESPONSIBILITY FOR ALL DIMENSIONS, ELEVATIONS, AND SITE CONDITIONS.
- THE POSITIONS OF POLE LINES, CONDUITS, WATERMANS, SEWERS AND OTHER UNDERGROUND AND OVER-GROUND UTILITIES AND STRUCTURES ARE NOT NECESSARILY SHOWN ON THE DRAWINGS, WHERE SHOWN ON THE DRAWING, THE ACCURACY OF THE POSITION OF SUCH UTILITIES AND STRUCTURES IS NOT GUARANTEED. BEFORE STARTING WORK, THE CONTRACTOR SHALL INFORM THEMSELVES OF THE EXACT LOCATION OF ALL SUCH UTILITIES AND STRUCTURES AND ASSUME ALL LIABILITY FOR DAMAGE TO THEM.
- ALL DRAWINGS REMAIN THE PROPERTY OF THE ENGINEER AND SHALL NOT BE REPRODUCED, REUSED, OR REVISED WITHOUT THE WRITTEN CONSENT OF S. LLEWELLYN AND ASSOCIATES LIMITED.

| DESIGN | MC | CHK'D | SF | DATE |
|--------|----|-------|----|-------------|
| DRAWN | MC | CHK'D | SF | Nov. 16, 23 |

SCALE 1:250

APPROVALS

| STAMP |
|-------|
| |

S. LLEWELLYN & ASSOCIATES LIMITED
 CONSULTING ENGINEERS
 Tel. (905) 631-6978
 Website: www.sla.on.ca
 email: info@sla.on.ca
 3228 South Service Road, Suite #105 East Wing, Burlington, Ont., L7N 3H8

CLIENT
REPRESENTATIVE HOLDINGS INC.
 242 MAIN STREET EAST,
 HAMILTON, ON L8N 1H5

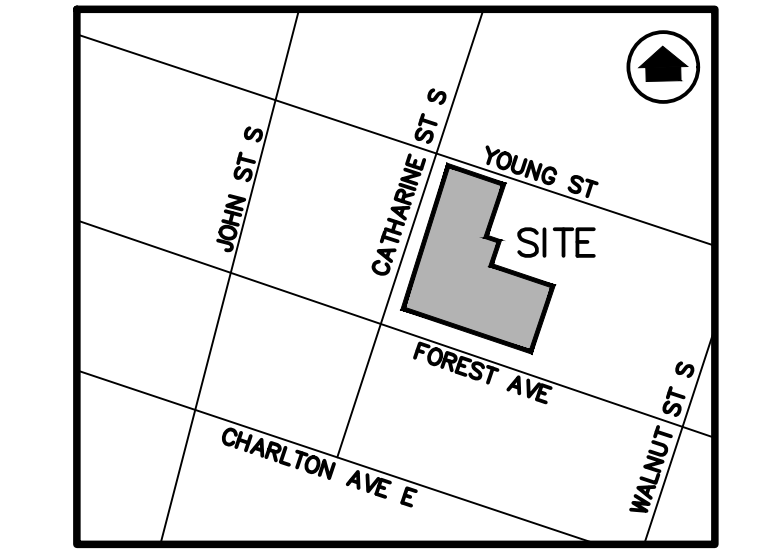
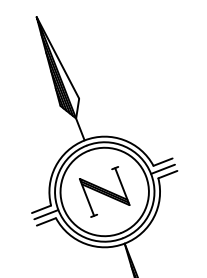
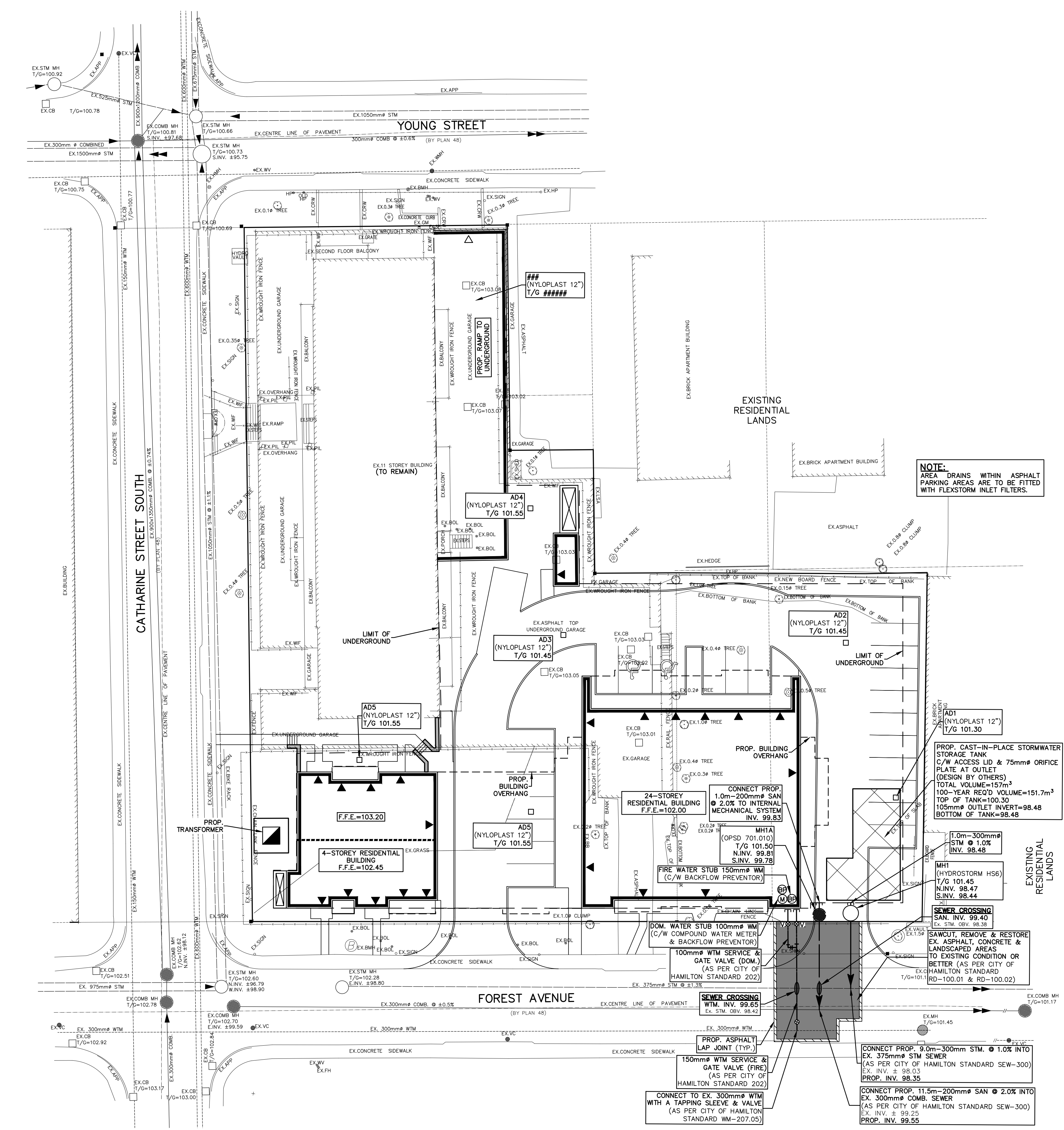
PROJECT NAME
**117 FOREST AVENUE & 175
 CATHARINE STREET SOUTH**
 HAMILTON, ONTARIO

TITLE
**PRELIMINARY GRADING & EROSION
 CONTROL PLAN**

PROJECT No. 16092A DRAWING No. C101

NOTES TO CONTRACTOR:

- INSPECTION**
 CONTRACTOR IS RESPONSIBLE FOR CONTACTING ENGINEER 48 HRS PRIOR TO COMMENCING WORK TO ARRANGE FOR INSPECTION. ENGINEER TO DETERMINE DEGREE OF INSPECTION AND TESTING REQUIRED FOR CERTIFICATION OF UNDERGROUND SERVICE INSTALLATION AS MANDATED BY ONTARIO BUILDING CODE DIVISION C, PART 1, SECTION 1.2.2. GENERAL REVIEW. FAILURE TO NOTIFY ENGINEER WILL RESULT IN EXTENSIVE POST CONSTRUCTION INSPECTION AT CONTRACTORS EXPENSE.
- CONFIRMATION OF EXISTING INVERTS**
 72 HOURS PRIOR TO THE START OF CONSTRUCTION, THE CONTRACTOR IS TO LOCATE, EXPOSE AND VERIFY INVERTS OF EXISTING SEWERS AT CONNECTION POINTS. SHOULD THE CONTRACTOR PROCEED WITHOUT COMPLETING THESE LOCATES, EXTRA COSTS RESULTING FROM DELAYS AND STANDBY TIME WILL NOT BE CONSIDERED.



- LEGEND:**
- EXISTING CATCHBASIN
 - EXISTING STORM/SANITARY MANHOLE
 - PROPOSED CATCHBASIN
 - PROPOSED STORM/SANITARY MANHOLE
 - PROPOSED CURB STOP/GATE VALVE
 - ⊕ PROPOSED WATER METER
 - ⊖ PROPOSED BACKFLOW PREVENTOR
 - SEWER CROSSING
 - ▨ PROPOSED ROAD RESTORATION

BENCH MARK NOTE:
 MONUMENT 0011865U659
 CITY OF HAMILTON BENCH MARK, HOUSE NO. 201 JAMES STREET SOUTH,
 AT NORTHEAST CORNER OF INTERSECTION OF FOREST AVENUE, PLATE IN
 SOUTH BRICK WALL AT SOUTHEAST CORNER
 ELEVATION: 110.715 metres CGVD-1928:1978

| NO. | DATE | BY | REVISIONS |
|-----|-----------|----|-------------------|
| 2. | NOV 15/23 | MC | REVISED SITE PLAN |
| 1. | AUG 25/22 | YM | REVISED SITE PLAN |

NOTES TO CONTRACTOR:

- CONTRACTORS AND SUBCONTRACTORS SHALL NOT SCALE FROM THIS DRAWING.
- ANY INCONSISTENCIES AND OMISSIONS FOUND ON THE DRAWINGS MUST BE REPORTED TO THE ENGINEER FOR CLARIFICATION BEFORE COMMENCING THE WORK.
- PRIOR TO THE START OF CONSTRUCTION, THE CONTRACTOR MUST CHECK AND VERIFY ALL DIMENSIONS AND ELEVATIONS AND REPORT ALL FINDINGS TO THE ENGINEER. ONCE CONSTRUCTION HAS COMMENCED, THE CONTRACTOR ACCEPTS RESPONSIBILITY FOR ALL DIMENSIONS, ELEVATIONS, AND SITE CONDITIONS.
- THE POSITIONS OF POLE LINES, CONDUITS, WATERMANS, SEWERS AND OTHER UNDERGROUND AND OVER-GROUND UTILITIES AND STRUCTURES ARE NOT NECESSARILY SHOWN ON THE DRAWINGS, WHERE SHOWN ON THE DRAWINGS, THE ACCURACY OF THE POSITION OF SUCH UTILITIES AND STRUCTURES IS NOT GUARANTEED. BEFORE STARTING WORK, THE CONTRACTOR SHALL INFORM THEMSELVES OF THE EXACT LOCATION OF ALL SUCH UTILITIES AND STRUCTURES AND ASSUME ALL LIABILITY FOR DAMAGE TO THEM.
- ALL DRAWINGS REMAIN THE PROPERTY OF THE ENGINEER AND SHALL NOT BE REPRODUCED, REUSED, OR REVISED WITHOUT THE WRITTEN CONSENT OF S. LLEWELLYN AND ASSOCIATES LIMITED.

| DESIGN | MC | CHK'D | SF | DATE |
|--------|----|-------|----|-------------|
| DRAWN | MC | CHK'D | SF | Nov. 16, 23 |

SCALE 1:250

| APPROVALS | |
|-----------|-------|
| | STAMP |

S. LLEWELLYN & ASSOCIATES LIMITED
 CONSULTING ENGINEERS
 Tel. (905) 631-6978
 Website: www.sla.on.ca
 email: info@sla.on.ca
 3228 South Service Road, Suite #105 East Wing, Burlington, Ont., L7N 3H8

CLIENT
 REPRESENTATIVE HOLDINGS INC.
 242 MAIN STREET EAST,
 HAMILTON, ON L8N 1H5

PROJECT NAME
 117 FOREST AVENUE & 175
 CATHARINE STREET SOUTH
 HAMILTON, ONTARIO

TITLE
 PRELIMINARY SITE SERVICING
 PLAN

PROJECT No. 16092A **DRAWING No.** C102

- NOTES TO CONTRACTOR:**
- INSPECTION**
 CONTRACTOR IS RESPONSIBLE FOR CONTACTING ENGINEER 48 HRS PRIOR TO COMMENCING WORK TO ARRANGE FOR INSPECTION. ENGINEER TO DETERMINE DEGREE OF INSPECTION AND TESTING REQUIRED FOR CERTIFICATION OF UNDERGROUND SERVICE INSTALLATION AS MANDATED BY ONTARIO BUILDING CODE DIVISION C, PART 1, SECTION 1.2.2, GENERAL REVIEW. FAILURE TO NOTIFY ENGINEER WILL RESULT IN EXTENSIVE POST CONSTRUCTION INSPECTION AT CONTRACTORS EXPENSE.
 - CONFIRMATION OF EXISTING INVERTS**
 72 HOURS PRIOR TO THE START OF CONSTRUCTION, THE CONTRACTOR IS TO LOCATE, EXPOSE AND VERIFY INVERTS OF EXISTING SEWERS AT CONNECTION POINTS. SHOULD THE CONTRACTOR PROCEED WITHOUT COMPLETING THESE LOCATES, EXTRA COSTS RESULTING FROM DELAYS AND STANDBY TIME WILL NOT BE CONSIDERED.

GENERAL NOTES

- THESE PLANS ARE NOT TO BE USED FOR CONSTRUCTION UNTIL SEALED BY THE ENGINEER AND INDICATED ISSUED FOR CONSTRUCTION ON THE DRAWING.
- THESE PLANS ARE NOT TO BE REPRODUCED IN WHOLE OR IN PART WITHOUT THE WRITTEN PERMISSION OF S. LLEWELLYN AND ASSOCIATES LIMITED.
- INFORMATION REGARDING ANY EXISTING SERVICES AND/OR UTILITIES SHOWN ON THE APPROVED SET OF CONSTRUCTION DRAWINGS IS FURNISHED AS THE BEST AVAILABLE INFORMATION. THE CONTRACTOR SHALL INTERPRET THIS INFORMATION AS HE SEES FIT WITH THE UNDERSTANDING THAT THE OWNER AND HIS AGENTS DISAVOW ALL RESPONSIBILITY FOR ITS ACCURACY AND /OR SUFFICIENCY. THE CONTRACTOR SHALL ASSUME LIABILITY FOR ANY DAMAGE TO EXISTING WORKS.
- EXISTING TOPOGRAPHIC AND LEGAL INFORMATION TAKEN FROM PLANS PREPARED BY A.T. MCLAREN LTD., DATED AUGUST 30, 2021.
- SITE PLAN INFORMATION TAKEN FROM PLANS PREPARED BY KNYMH INC.
- THESE PLANS TO BE READ IN CONJUNCTION WITH THE STORM WATER MANAGEMENT (SWM) REPORT PREPARED BY S. LLEWELLYN AND ASSOCIATES LIMITED.
- THESE PLANS TO BE USED FOR SERVING AND GRADING ONLY, FOR BUILDING LOCATION REFER TO THE SITE PLAN.
- MUNICIPAL APPROVAL OF THESE DRAWINGS IS FOR MATERIAL AND COMPLIANCE WITH CITY OF HAMILTON AND PROVINCIAL SPECIFICATIONS AND STANDARDS ONLY. APPROVAL AND INSPECTION OF THE WORKS BY THE CITY OF HAMILTON STAFF DOES NOT CERTIFY THE LINE AND GRADE OF THE WORKS NOR RELIEVE THE CONTRACTOR OF CERTIFICATION OF ALL WORKS BY THE OWNER'S ENGINEER.
- ALTERNATE MATERIALS MAY BE ACCEPTABLE PROVIDED WRITTEN APPROVAL HAS FIRST BEEN OBTAINED FROM THE CITY OF HAMILTON AND THE ENGINEER.
- THE APPROVAL OF THIS PLAN DOES NOT EXEMPT THE OWNER'S BONDED CONTRACTOR FROM THE REQUIREMENTS TO OBTAIN THE VARIOUS PERMITS/APPROVALS NORMALLY REQUIRED TO COMPLETE A CONSTRUCTION PROJECT, SUCH AS, BUT NOT LIMITED TO THE FOLLOWING:
 - ROAD CUT PERMITS
 - SEWER PERMITS
 - APPROACH APPROVAL PERMITS
 - RELOCATION OF SERVICES
 - COMMITTEE OF ADJUSTMENT
 - ENCROACHMENT AGREEMENTS
- PRIOR TO CONSTRUCTION THE CONTRACTOR MUST:
 - CHECK AND VERIFY ALL DIMENSIONS AND EXISTING ELEVATIONS WHICH INCLUDE BUT ARE NOT LIMITED TO THE BENCHMARK ELEVATIONS, EXISTING SERVICE CONNECTIONS, EXISTING INVERTS AND REPORT FINDING IN WRITING TO THE ENGINEER.
 - OBTAIN ALL UTILITY LOCATES AND REQUIRED PERMITS AND LICENSES.
 - VERIFY ALL FINISHED FLOOR ELEVATIONS AND BASEMENT FLOOR ELEVATIONS WHICH MAY APPEAR ON THESE PLANS COMPLY WITH THE FINAL ARCHITECTURAL DRAWINGS.
 - CONFIRM ALL DRAWINGS USED FOR CONSTRUCTION ARE OF THE MOST RECENT REVISION.
 - NOTIFY THE ENGINEER OF THE PROPOSED CONSTRUCTION SCHEDULE FOR COORDINATION OF NECESSARY INSPECTIONS.
- THE CONTRACTOR IS RESPONSIBLE FOR CONTACTING THE ENGINEER 48 HOURS PRIOR TO THE COMMENCING SITE WORKS TO ARRANGE FOR INSPECTION. THE ENGINEER SHALL DETERMINE THE EXTENT OF INSPECTION AND TESTING REQUIRED FOR CERTIFICATION OF THE UNDERGROUND SERVICE INSTALLATION AS MANDATED BY THE ONTARIO BUILDING CODE DIVISION C, PART 1, SECTION 1.2.2, GENERAL REVIEW. FAILURE TO MAKE SUITABLE ARRANGEMENTS FOR INSPECTION WILL LEAD TO POST CONSTRUCTION TESTING AND INSPECTION AS DETERMINED BY THE ENGINEER, THE COSTS OF WHICH INCLUDING ANY DELAYS IN CONSTRUCTION SHALL BE BORNE BY THE CONTRACTOR. FULL PAYMENT FOR UN-INSPECTED WORKS MAY BE WITHHELD UNTIL THE COMPLETION OF THE POST CONSTRUCTION INSPECTION AND TESTING TO THE SATISFACTION OF THE ENGINEER.
- INSPECTION BY THE ENGINEER IS FOR CERTIFICATION AND GENERAL CONFORMANCE PURPOSES AND DOES NOT CERTIFY LINE AND GRADE OR IMPLY AN ASSURANCE OF QUALITY CONTROL. THE CONTRACTOR SHALL BE RESPONSIBLE TO ENSURE THE INSTALLATION OF THE WORKS TO PROPER LINE, GRADE AND QUALITY TO CURRENT INDUSTRY STANDARDS.
- ANY UTILITY RELOCATIONS AND RESTORATIONS DUE TO THE DEVELOPMENT TO BE UNDERTAKEN AT THE EXPENSE OF THE OWNER/DEVELOPER AND SHALL BE COORDINATED BY THE CONTRACTOR.
- ALL RESTORATIONS AND RECONSTRUCTIONS SHALL BE TO COMPLETED TO MATCH EXISTING CONDITIONS OR BETTER AND ARE TO BE PERFORMED TO THE SATISFACTION OF THE ENGINEER AND THE CITY OF HAMILTON.
- SERVICING CONTRACTOR TO MAINTAIN A "CONFINED TRENCH CONDITION" IN ALL SEWER AND WATERMAIN INSTALLATION TRENCHES.
- THE SITE SERVING CONTRACTOR SHALL TERMINATE ALL SERVICES 1.0m FROM THE BUILDING FACE.
- NO BLASTING WILL BE PERMITTED.

SEWERS

- SANITARY AND STORM SEWERS
 - CONSTRUCTION OF SANITARY & STORM SEWERS & PRIVATE DRAINS SHALL BE IN ACCORDANCE WITH CITY STANDARDS & SPECIFICATIONS (LATEST EDITION) AND MINISTRY OF ENVIRONMENT (MOE) GUIDELINES (LATEST EDITION).
 - COVER AND BEDDING MATERIAL FOR CONCRETE PIPE SHALL BE GRANULAR 'A' MATERIAL AS PER OPSD 802.030 OR 802.033, CLASS 'B' BEDDING.
 - COVER AND BEDDING MATERIAL FOR PVC PIPE SHALL BE GRANULAR 'A' MATERIAL AS PER OPSD 802.010 OR 802.013.
 - PVC PIPE WILL REQUIRE SPECIAL CONSTRUCTION PROCEDURES AS PER CITY SPECIFICATIONS.
 - ALL SEWERS TO BE VIDEO INSPECTED AS PER OPSS 409.
 - ALL SEWERS TO BE FLUSHED PRIOR TO VIDEO INSPECTION.
 - MANHOLE FRAMES AND COVERS SHALL BE AS PER OPSD 401.010 (STORM-OPEN, SANITARY-CLOSED).
 - CATCHBASIN FRAMES AND GRATES SHALL BE AS PER OPSD 400.100 IN PAVED AREA AND 400.120 IN LANDSCAPED AREAS.
 - ALL REAR LOT CATCHBASINS SHALL BE SIMPLESS AND HAVE NO GOSS TRAPS.
 - SANITARY SEWERS 200mm TO 375mm IN DIAMETER SHALL BE PVC PIPE, CSA B182.2, SDR-35.
 - STORM SEWERS 250mm TO 600mm IN DIAMETER SHALL BE PVC PIPE, CSA B182.2, SDR-35.
 - STORM SEWERS GREATER THAN 600mm IN DIAMETER SHALL BE CONCRETE PIPE, CSA A257.2 (AS SPECIFIED).
 - ALL PVC STORM SEWERS ARE TO BE TESTED FOR DEFLECTION (MANDREL PASSAGE) AFTER INSTALLATION AS PER OPSS 410. SANITARY SEWERS SHALL BE TESTED FOR DEFLECTION (MANDREL PASSAGE) AND LEAKAGE (LOW AIR PRESSURE METHOD) AS PER OPSS 410. PRIOR TO ASSUMPTION BY THE CITY, PIPE DEFLECTION TESTING SHALL BE REPEATED.
 - AREA DRAINS TO BE NYLOPLAST 12" HEAVY DUTY GRATE C/W CONCRETE SUPPORT RING AS PER MANUFACTURER'S SPECIFICATIONS.
 - DRAIN BASINS ARE TO BE EQUIPPED WITH CONCRETE SUPPORT RING AS PER MANUFACTURER'S SPECIFICATIONS.

WATERMANS AND WATER SERVICES

- WATERMANS
 - CONSTRUCTION OF WATERMANS & PRIVATE SERVICES SHALL BE IN ACCORDANCE WITH CITY STANDARDS & SPECIFICATIONS (LATEST EDITION) AND MINISTRY OF ENVIRONMENT (MOE) GUIDELINES (LATEST EDITION).
 - TO BE INSTALLED TO A MINIMUM DEPTH OF 1.80M BELOW PROPOSED CENTERLINE ROAD GRADE ON ALL ROADS EXCEPT ON (NAME OF ROAD) WHERE THE MINIMUM DEPTH IS 1.6m.
 - PVC PIPE IN SIZES 100mm THROUGH 300mm SHALL BE CLASS 150 DR18 CONFORMING TO AWWA C900. FOR 400MM, SEE SECTION 7: SPECIAL NOTES.
 - TRACER WIRE SHALL BE INSTALLED WITH PVC PIPE IN ACCORDANCE WITH FORM 400. IT SHALL BE 12 GAUGE, TW75, TW175 OR RWBOLPE COATED COPPER AND SHALL BE POSITIONED ALONG THE TOP OF THE PIPE AND FASTENED AT 6 METRE INTERVALS. THE WIRE IS TO BE INSTALLED BETWEEN EACH VALVE AND/OR THE END OF THE NEW PVC WATERMAIN. JOINTS IN THE WIRE BETWEEN VALVES ARE NOT PERMITTED. AT EACH GATE VALVE A LOOP WIRE IS TO BE BROUGHT UP INSIDE THE VALVE BOX TO THE GAR. THE TRACER WIRE SHALL BE BROUGHT TO THE SURFACE AT THE SECONDARY VALVE ON ALL FIRE HYDRANTS. THE TRACER WIRE SHALL ALSO BE CONNECTED TO THE CATHODIC PROTECTION SYSTEM AS REQUIRED.
 - MOLDED PVC FITTINGS FOR PIPE SIZES 100mm TO 300mm SHALL CONFORM TO AWWA C900 AND CERTIFIED TO CSA B137.2.
 - FABRICATED FITTINGS 250mm AND 300mm SHALL BE MANUFACTURED FROM SEGMENTS OF AWWA C900, CLASS 150 (DR18) PVC PIPE, BONDED TOGETHER AND OVER-WRAPPED WITH FIBREGLASS-REINFORCED POLYESTER TO MEET THE REQUIREMENTS OF CSA B137.2.
 - WHERE METAL FITTINGS ARE TO BE USED ON PVC MAINS SUFFICIENT CATHODIC PROTECTION AS PER FORM 400 AND MUST BE PROVIDED AS PER THE FOLLOWING REQUIREMENTS:
 - ONE (1) 11 kg ZINC ANODE WILL BE PROVIDED FOR EVERY 1000 m TRACER WIRE.

- ONE (1) 11 kg ZINC ANODE IS TO BE INSTALLED ON ALL COPPER SERVICE CONNECTIONS, BY MEANS OF A SERVICE GROUND CLAMP, COATED WITH T.C. MASTIC OR WRAPPED WITH SCOTCHFIL ELECTRICAL PUTTY OR APPROVED EQUAL. THE ANODE IS TO BE PLACED AT LEAST 1.0 m AWAY FROM THE WATER SERVICE AND AS DEEP AS THE SERVICE AND WITHIN 1.0 m OF THE CURB STOP.
 - ONE (1) 11 kg ZINC ANODE IS TO BE INSTALLED ON EACH HYDRANT. IF PVC PIPE IS USED BETWEEN THE HYDRANT TEE OR ANCHOR TEE AND THE HYDRANT BOOT, TWO (2) 11 kg ZINC ANODES SHALL BE USED.
 - ONE (1) 11 kg ZINC ANODE IS TO BE INSTALLED ON EVERY VALVE, AND EVERY METALLIC FITTING CONNECTED TO A PVC WATERMAIN. FITTINGS INCLUDE BENDS, TEES, CROSSES, SLEEVES, REDUCERS, PLUGS, CAPS, JOINT RESTRAINERS AND COUPLINGS.
- ALL SACRIFICIAL ZINC ANODES SHALL CONFORM TO ASTM B-418 TYPE II AND SHALL BE MADE OF HIGH GRADE ELECTROLYTIC ZINC, 99.99 % PURE. MAGNESIUM ANODES SHALL CONFORM TO ASTM B-107-TYPE M1. FOR ALL ANODES CONNECTED TO NEW PIPE, FITTINGS OR TO EXISTING METALLIC WATERMANS, A CADWELDER AND CA-15 OR EQUIVALENT CARTRIDGE SHALL BE USED. ALL THERMITE WELD CONNECTIONS TO BE COATED WITH T.C. MASTIC (TAPECOAT OF CANADA), ROYBOND 747 PRIMER AND ROYSTON 'HANDY CAP' OR APPROVED EQUAL.
- BEDDING AND BACKFILL AS PER WM-200.01 AND WM-200.02 GRANULAR 'A' MATERIAL FOR MAINS AND SERVICES GREATER THAN 50mm.
 - WATERMAIN DEFLECTION FOR PVC PIPE:
 - MAXIMUM ALLOWABLE DEFLECTION OF 1.5 DEGREES PER JOINT UP TO 250mm DIAMETER (180mm PER 6.1m PIPE LENGTH) AND 1.2 DEGREES FOR 300mm DIAMETER (128mm PER 6.1m PIPE LENGTH) SHALL NOT BE EXCEEDED.
 - ALL JOINTS SHALL BE DEFLECTED AN EQUAL AMOUNT.
 - MINIMUM HORIZONTAL SEPARATION BETWEEN WATERMANS AND SEWERS SHALL BE 2.5m. VERTICAL SEPARATION BETWEEN WATERMANS AND SEWERS WHICH CROSS MUST BE 500mm BETWEEN THE OUTSIDE OF THE WATERMAIN AND THE OUTSIDE OF THE SEWER, WITH THE LENGTH OF WATER PIPE BEING CENTRED AT THE POINT OF CROSSING SUCH THAT JOINTS IN THE WATERMAIN WILL BE EQUIDISTANT AND AS FAR AS POSSIBLE FROM THE SEWER, CROSSING PERPENDICULAR IF POSSIBLE.
 - ALL EXISTING WATER METERS BEING ABANDONED AS PART OF THE PROPOSED DEVELOPMENT MUST BE REMOVED AND SALVAGED BY THE CITY OF HAMILTON. THE SERVING CONTRACTOR SHOULD CONTACT THE WATER AND WASTEWATER SECTION, PUBLIC WORKS DEPARTMENT AT (905) 546-2424 X4426 TO ARRANGE FOR THE WORK.
 - ANCHOR OR THURST BLOCKS ARE TO BE INSTALLED AT ALL WATER SERVICE ELBOWS, TEES, PLUGS, ETC. FOR 300mm DIAMETER WATER SERVICES AND SMALLER, ANCHOR BLOCKS ARE TO BE AS PER WE-204.01. FOR WATER SERVICES GREATER THAN 300mm, ANCHOR BLOCKS ARE TO BE AS PER WM-204.02 TO WM-204.13 AS APPLICABLE.
2. FLUSHING, SWABBING AND TESTING
- ALL NEW WATERMANS ARE TO BE SWABBED IN ACCORDANCE WITH CITY SPECIFICATIONS.
 - A REDUCED PRESSURE ZONE BACKFLOW PREVENTER (WATTS SERIES 909 OR APPROVED EQUAL) IS REQUIRED ON THE TEMPORARY SUPPLY LINES USED FOR FILLING AND FLUSHING OR SWABBING OF WATERMANS.
 - UPON COMPLETION OF INSTALLATION, THE CONTRACTOR SHALL PERFORM A PRESSURE TEST ON THE WATERMANS AS PER FORM 400. WATERMAIN IS TO BE TESTED PRIOR TO CONNECTION TO EXISTING WATERMANS USING TEMPORARY CAPS OR PLUGS. PIPE CLOSURES, WHERE REQUIRED, ARE TO BE SUPPLIED BY THE CONTRACTOR. THE CONTRACTOR WILL ALSO SURVEY AND INSTALL ALL ADAPTOR PIECES IN ORDER TO CONNECT TO EXISTING WATERMANS.

GRADING NOTES

- ALONG ADJOINING PROPERTIES GRADE TO MEET EXISTING OR PROPOSED ELEVATIONS WITH SODDED SLOPES (MIN. 3H TO 1V) AND/OR RETAINING WALLS AS SPECIFIED.
- ALL RETAINING WALLS, WALKWAYS, CURBS, ETC., SHALL BE PLACED A MIN. OF 0.45m OFF THE PROPERTY LINE. ALL WALLS 1.0m OR HIGHER SHALL BE DESIGNED BY A P.E.N.G.
- SHOULD A RETAINING WALL BE REQUIRED, THE TOP OF WALL ELEVATIONS SHALL BE SET 150mm ABOVE THE PROPOSED SIDE YARD SWALES.
- RETAINING WALLS 0.6m IN HEIGHT OR GREATER REQUIRE CONSTRUCTION OF A FENCE OR GUARD RAIL AT THE TOP OF THE REAR WALL. GUARDS FOR RETAINING WALLS SHALL BE DESIGNED AND CONSTRUCTED IN ACCORDANCE WITH THE REQUIREMENTS OF EXTERIOR GUARDS AS CONTAINED IN THE ONTARIO BUILDING CODE.
- TOP OF FOUNDATION WALLS FOR BUILDINGS SHALL BE 150mm (MIN) ABOVE FINISHED GRADE.
- DRIVEWAY SLOPES SHALL NOT BE LESS THAN 2% AND NOT MORE THAN 7.0% REVERSED SLOPED DRIVEWAYS IN NEW DEVELOPMENTS ARE NOT PERMITTED.
- IF GRADING IS REQUIRED ON LANDS ADJACENT TO THE DEVELOPMENT WHICH ARE NOT OWNED BY THE DEVELOPER, THEN THE DEVELOPER MUST OBTAIN WRITTEN PERMISSION FROM THE ADJACENT PROPERTY OWNER TO ALLOW THE DEVELOPER TO GRADE ON THE ADJACENT LANDS. OTHERWISE RETAINING WALLS MUST BE USED.
- THE WRITTEN PERMISSION REQUIRED FROM THE ADJACENT LANDOWNER SHALL BE OBTAINED PRIOR TO ENTERING THE LANDS. SHOULD PERMISSION NOT BE OBTAINED OR IS WITHDRAWN PRIOR TO COMMENCING THE WORK, THEN THE DEVELOPER SHALL LIMIT HIS ACTIVITIES TO THE LIMITS OF THE DEVELOPMENT SITE.
- DRIVEWAY AND DRIVEWAY APPROACHES SHALL BE LOCATED SUCH THAT HYDRO WALLS AND OTHER STREET FURNITURE ARE A MIN. OF 1.2m FROM THE PROJECTIONS OF THE OUTSIDE GARAGE WALLS.
- ANY CHANGES IN GRADES AND CATCH BASINS REQUIRE THE APPROVAL OF THE CITY'S MANAGER OF DEVELOPMENT ENGINEERING.
- ALL DRIVEWAYS FROM PROPERTY LINES FOR THE FIRST 7.5m SHALL BE WITHIN 5% MAXIMUM GRADE, THEREAFTER, ALL DRIVEWAYS SHALL BE WITHIN 10% MAXIMUM GRADES.
- SLOPES OF SWALES SHALL BE NO LESS THAN 2.0% GRADE AND NO GREATER THAN 33% GRADE (3:1 SLOPES)
- WHEN MATCHING INTO EXISTING PROPERTIES WHERE A 2.0% GRADE CANNOT BE ACHIEVED, A 1.5% GRADE IS PERMITTED PROVIDED A 150mm SUB-DRAIN IS INSTALLED BELOW THE BOTTOM OF THE SWALE AND DRAINED TO A SUITABLE OUTLET, (WITH A MINIMUM 0.3m COVER OVER THE SUB-DRAIN) OR OTHER MITIGATION MEASURES.

COMPACTION REQUIREMENTS

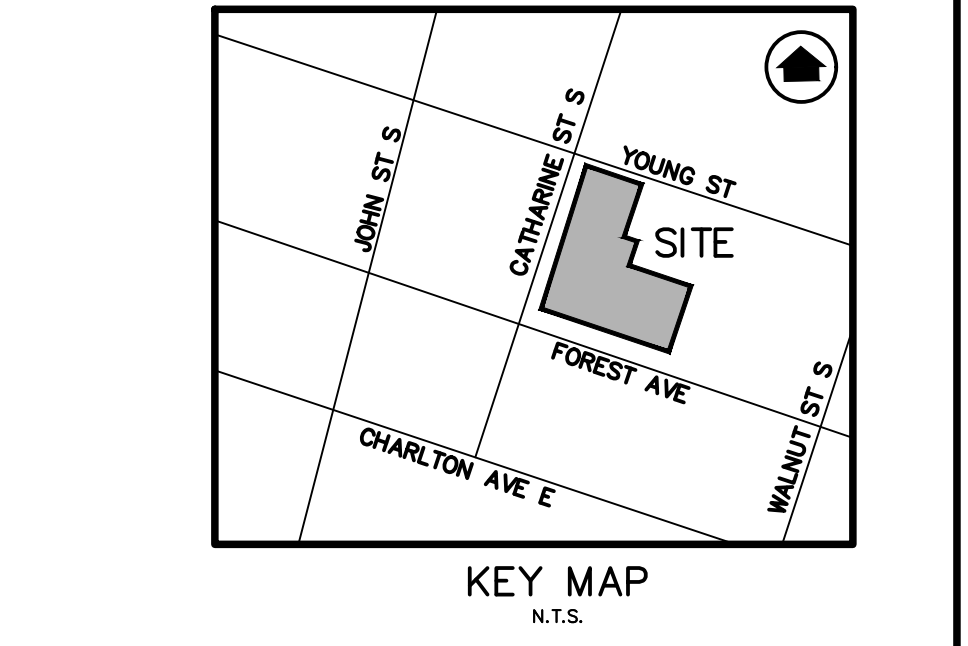
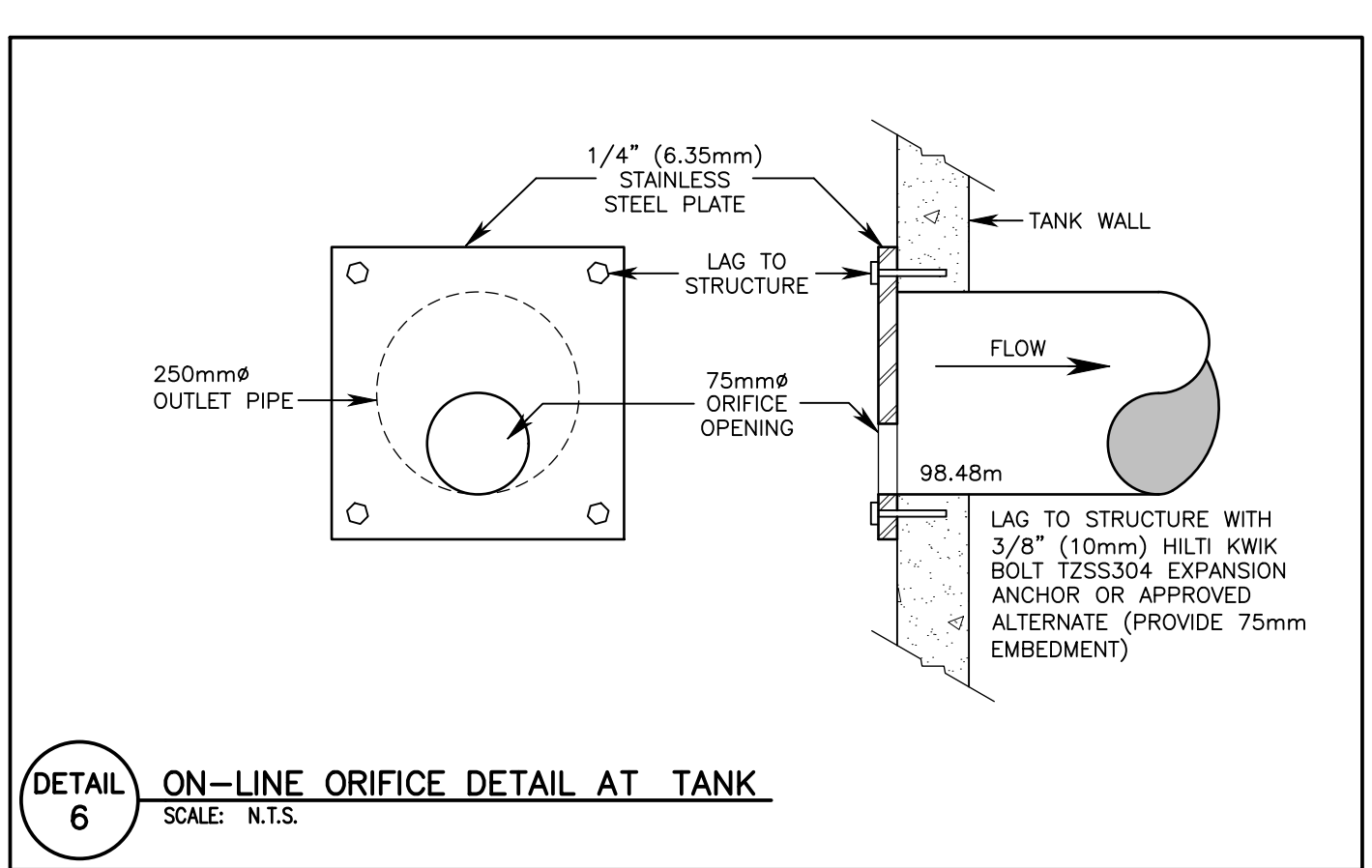
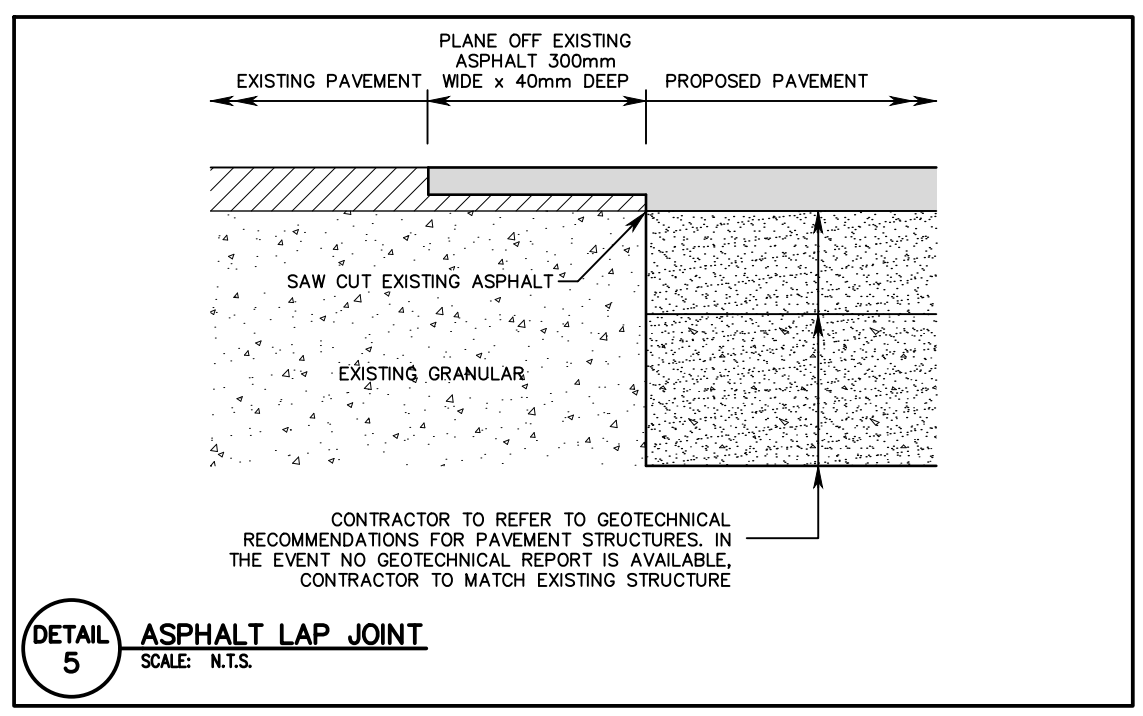
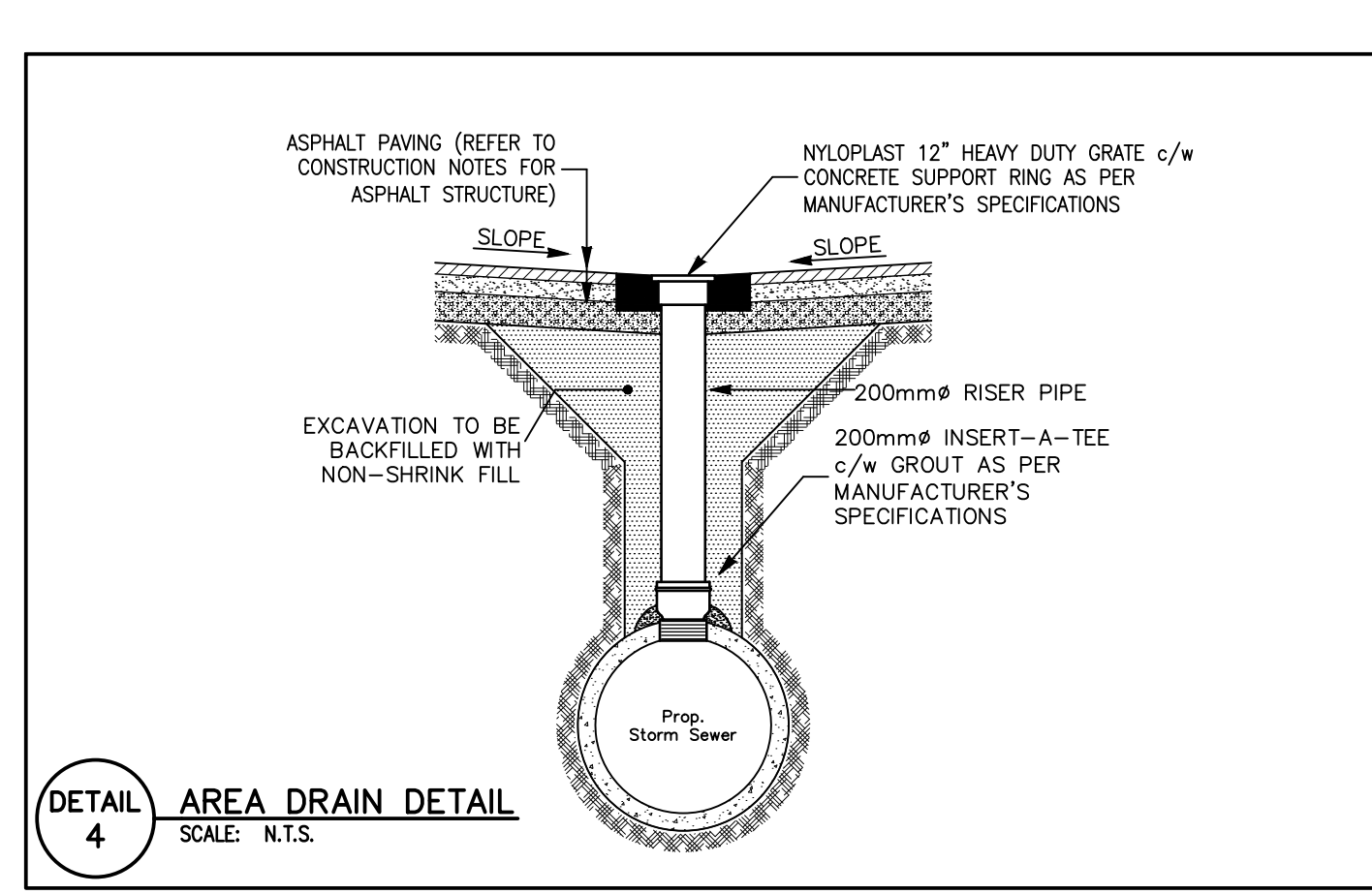
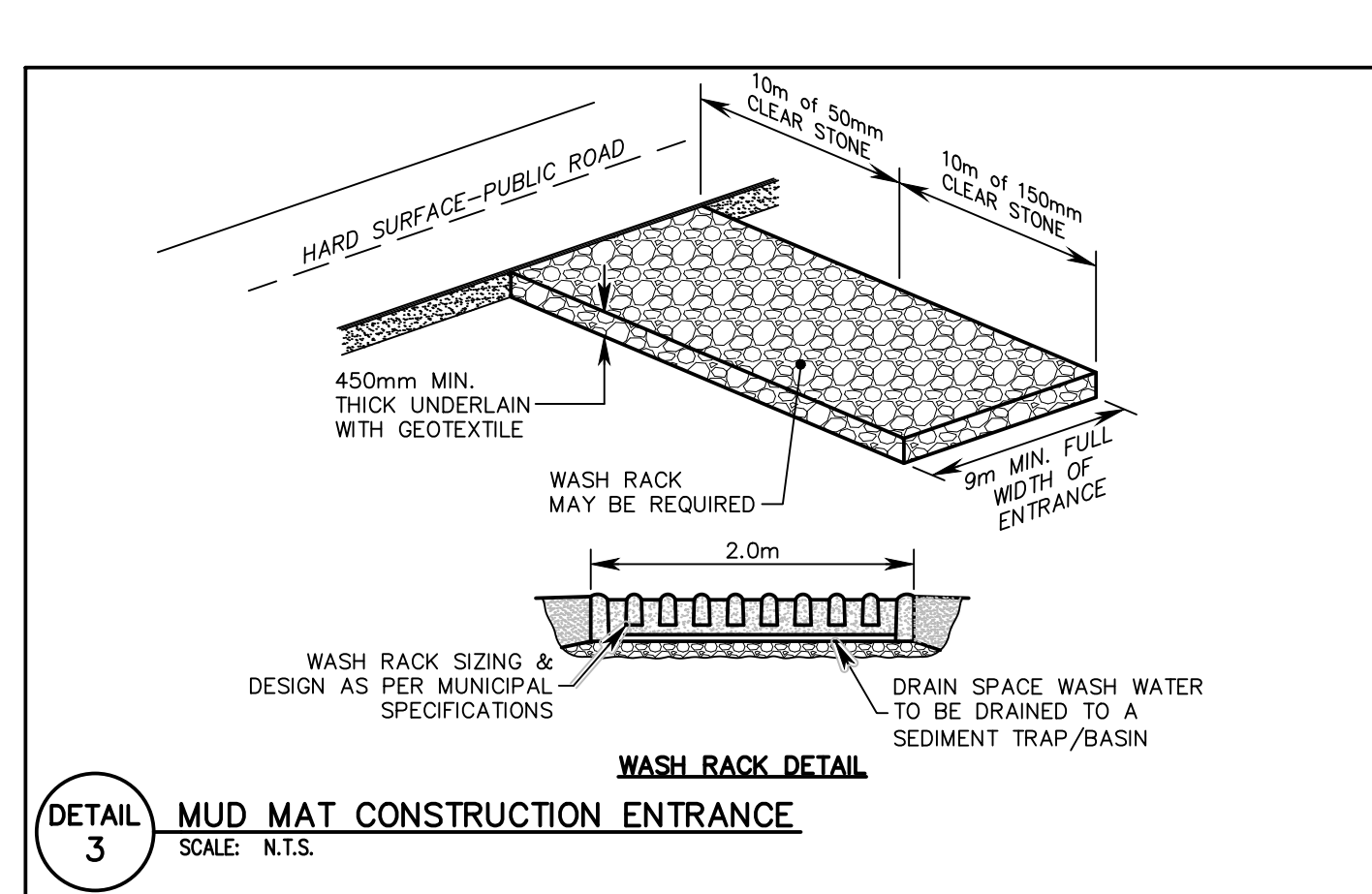
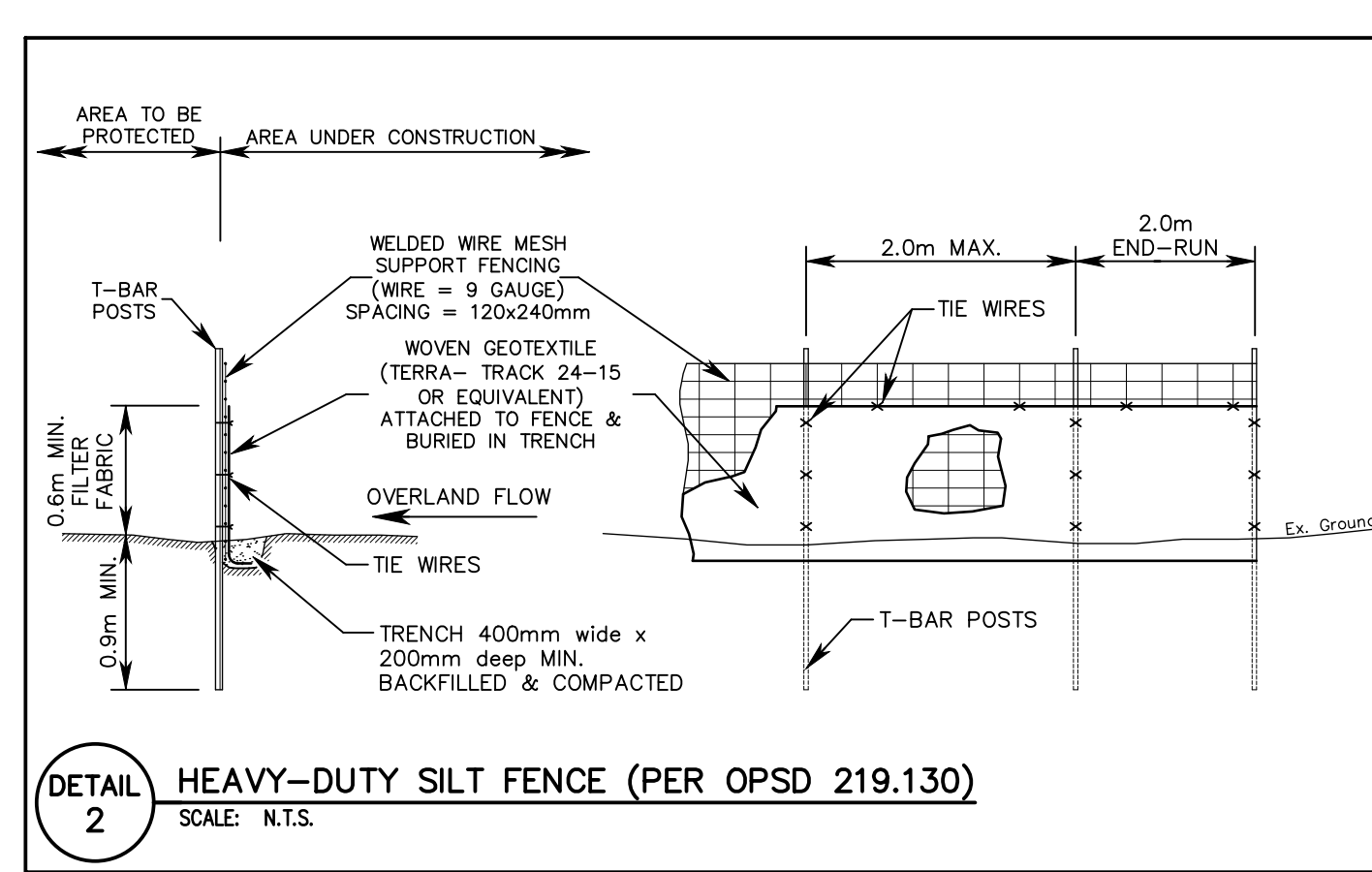
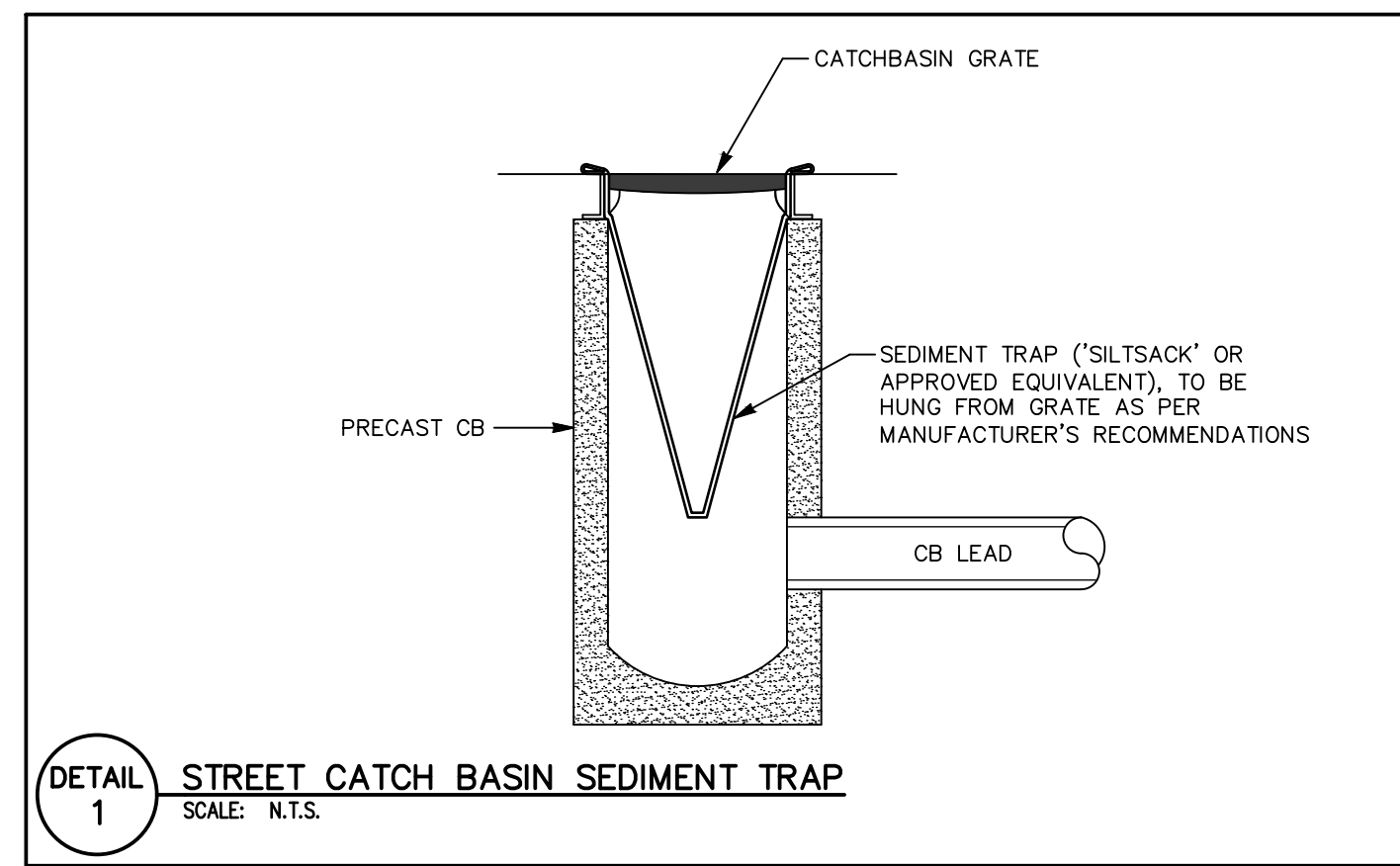
- UNLESS OTHERWISE NOTED OR DIRECTED BY THE GEOTECHNICAL CONSULTANT, THE FOLLOWING SHALL APPLY:
- ALL BEDDING AND BACKFILL MATERIAL, ROAD SUB-GRADES AND GENERALLY ALL MATERIAL USED FOR LOT GRADING AND FILL SECTIONS, ETC., SHALL BE COMPACTED TO MIN. 98% SPD. ALL MATERIAL SHALL BE PLACED IN LAYERS NOT EXCEEDING 300mm LIFTS.
 - ALL GRANULAR ROAD BASE MATERIALS SHALL BE COMPACTED TO 98% SPD.
 - FOR ALL SEWERS AND WATERMANS IN FILL SECTIONS, THE COMPACTION SHALL BE CERTIFIED BY A GEOTECHNICAL ENGINEER PRIOR TO LAYING OF PIPE.
 - ALL FILL PLACED ON LOTS SHALL BE COMPACTED TO A MINIMUM 95% SPD (UNLESS OTHERWISE RECOMMENDED BY THE GEOTECHNICAL ENGINEER).
 - ALL MATERIAL SHALL BE PLACED IN LAYERS NOT EXCEEDING 300mm LIFTS.

SILTATION AND EROSION CONTROL

- SILTATION CONTROL BARRIERS SHALL BE PLACED AS DETAILED.
- ALL SILTATION CONTROL MEASURES SHALL BE CLEANED AND MAINTAINED AFTER EACH RAINFALL AS DIRECTED AND TO THE SATISFACTION OF THE CITY OF HAMILTON AND/OR THE HAMILTON CONSERVATION AUTHORITY.
- ADDITIONAL SILT CONTROL LOCATIONS MAY BE REQUIRED AS DETERMINED BY THE ENGINEER, THE CITY OF HAMILTON AND/OR THE HAMILTON CONSERVATION AUTHORITY.
- ALL EROSION AND SEDIMENT CONTROL DEVICES MUST BE INSTALLED PRIOR TO DEVELOPMENT AND MAINTAINED THROUGHOUT THE CONSTRUCTION PROCESS, UNTIL ALL DISTURBED AREAS HAVE BEEN RE-ESTABLISHED.
- ALL EROSION AND SEDIMENT CONTROL DEVICES SHOULD BE INSPECTED MINIMUM WEEKLY, AFTER EVERY RAINFALL AND MAINTAINED AND CLEANED AS REQUIRED.

SEWER/WATER ABANDONMENT

- ALL EXISTING UNUSED WATER SERVICES ARE TO BE PROPERLY ABANDONED.
- ALL EXISTING UNUSED 50mm WATER SERVICES MUST BE PROPERLY ABANDONED AS FOLLOWS:
 - CLOSE MAINSTOP
 - REMOVE CURB STOP
 - CUT AND CRIMP WATER SERVICIE AT EITHER END.
- FOR WATER SERVICES GREATER THAN 50mm, USING A TEE AND SLEEVE, THE TEE SHALL BE REMOVED AND REPLACED WITH A SECTION OF PIPE AND SLEEVE. THE REPLACEMENT SECTION OF PIPE SHALL BE OF THE SAME MATERIAL AS THE EXISTING MAINLINE WATERMAIN, WHERE A TAPPING VALVE WAS USED THE APPLICANT SHOULD CONTACT THE CITY FOR FURTHER DIRECTION.
- UNUSED MAINTENANCE HOLES AND CATCHBASINS MUST BE COMPLETELY REMOVED.
- OPENINGS IN MAINTENANCE HOLES AND CATCHBASINS WHERE SERVICES WERE REMOVED OR ABANDONED MUST BE BRICKED AND PARGED.
- ALL EXISTING UNUSED SEWER DRAINS SERVING A PROPERTY BEING REDEVELOPED, IN WHOLE OR IN PART, MUST BE EITHER REMOVED FROM MUNICIPAL PROPERTY (I.E. ROAD ALLOWANCE ETC., WITH AN APPROPRIATE REPAIR TO THE MUNICIPAL SEWER MAIN TO WHICH THEY CONNECT), AND REMOVED FROM PRIVATE PROPERTY OR, ALTERNATIVELY, UNUSED SEWER DRAINS MAY BE ABANDONED IN ACCORDANCE WITH CITY MINIMUM REQUIREMENTS I.E. TRENCHLESS ABANDONMENT BY FILLING THE LATERAL WITH GROUT WITHIN THE ENTIRE ROW.



BENCH MARK NOTE:
MONUMENT 0011650659
CITY OF HAMILTON BENCH MARK, HOUSE NO. 201 JAMES STREET SOUTH, AT NORTHEAST CORNER OF INTERSECTION OF FOREST AVENUE, PLATE IN SOUTH BRICK WALL AT SOUTHEAST CORNER.
ELEVATION: 110.715 metres CGVD-1928:1978

| NO. | DATE | BY | REVISIONS |
|-----|-----------|----|-------------------|
| 2. | NOV 15/23 | MC | REVISED SITE PLAN |
| 1. | AUG 25/22 | YM | REVISED SITE PLAN |

NOTES TO CONTRACTOR:

- CONTRACTORS AND SUBCONTRACTORS SHALL NOT SCALE FROM THIS DRAWING.
- ANY INCONSISTENCIES AND OMISSIONS FOUND ON THE DRAWINGS MUST BE REPORTED TO THE ENGINEER FOR CLARIFICATION BEFORE COMMENCING THE WORK.
- PRIOR TO THE START OF CONSTRUCTION, THE CONTRACTOR MUST CHECK AND VERIFY ALL DIMENSIONS AND ELEVATIONS AND REPORT ALL FINDINGS TO THE ENGINEER. ONCE CONSTRUCTION HAS COMMENCED, THE CONTRACTOR ACCEPTS RESPONSIBILITY FOR ALL DIMENSIONS, ELEVATIONS, AND SITE CONDITIONS.
- THE POSITIONS OF POLE LINES, CONDUITS, WATERMANS, SEWERS AND OTHER UNDERGROUND AND OVER-GROUND UTILITIES AND STRUCTURES ARE NOT NECESSARILY SHOWN ON THE DRAWINGS, WHERE SHOWN ON THE DRAWINGS, THE ACCURACY OF THE POSITION OF SUCH UTILITIES AND STRUCTURES IS NOT GUARANTEED. BEFORE STARTING WORK, THE CONTRACTOR SHALL INFORM THEMSELVES OF THE EXACT LOCATION OF ALL SUCH UTILITIES AND STRUCTURES AND ASSUME ALL LIABILITY FOR DAMAGE TO THEM.
- ALL DRAWINGS REMAIN THE PROPERTY OF THE ENGINEER AND SHALL NOT BE REPRODUCED, REUSED, OR REVISED WITHOUT THE WRITTEN CONSENT OF S. LLEWELLYN AND ASSOCIATES LIMITED.

| DESIGN | MC | CHK'D | SF | DATE |
|--------|----|-------|----|-------------|
| DRAWN | MC | CHK'D | SF | Nov. 16, 23 |

SCALE 1:250

APPROVALS

STAMP

S. LLEWELLYN & ASSOCIATES LIMITED
CONSULTING ENGINEERS
Tel. (905) 631-6978
Website: www.sla.on.ca
email: info@sla.on.ca
3228 South Service Road, Suite #105 East Wing, Burlington, Ont., L7N 3H8

CLIENT
REPRESENTATIVE HOLDINGS INC.
242 MAIN STREET EAST,
HAMILTON, ON L8N 1H5

PROJECT NAME
177 FOREST AVENUE & 175 CATHARINE STREET SOUTH
HAMILTON, ONTARIO

TITLE
NOTES & DETAILS PLAN

PROJECT No. 16092A DRAWING No. C103

NOTES TO CONTRACTOR:

- INSPECTION**
CONTRACTOR IS RESPONSIBLE FOR CONTACTING ENGINEER 48 HRS PRIOR TO COMMENCING WORK TO ARRANGE FOR INSPECTION. ENGINEER TO DETERMINE DEGREE OF INSPECTION AND TESTING REQUIRED FOR CERTIFICATION OF UNDERGROUND SERVICE INSTALLATION AS MANDATED BY ONTARIO BUILDING CODE DIVISION C, PART 1, SECTION 1.2.2, GENERAL REVIEW. FAILURE TO NOTIFY ENGINEER WILL RESULT IN EXTENSIVE POST CONSTRUCTION INSPECTION AT CONTRACTORS EXPENSE.
- CONFIRMATION OF EXISTING INVERTS**
72 HOURS PRIOR TO THE START OF CONSTRUCTION, THE CONTRACTOR IS TO LOCATE, EXPOSE AND VERIFY INVERTS OF EXISTING SEWERS AT CONNECTION POINTS. SHOULD THE CONTRACTOR PROCEED WITHOUT COMPLETING THESE LOCATES, EXTRA COSTS RESULTING FROM DELAYS AND STANDBY TIME WILL NOT BE CONSIDERED.